



Steel Poles - CE Certified / EN 40

Partnership with [PS Lichtmasten \(Holl\)](http://www.pslichtmasten.nl)

Warehouse + Distribution platform

Voir : www.eternalpole.eu

ETERNAL POLE EUROPE



NEW - 2018
ALUMINIUM Masts





CONTACTS

Warehouse / Dispatch:

Project Service – PS Lichtmasten in Raalte

Contact : Feike van der Werf

info@eternalpole.eu

Tel : 0031.572.35.77.16

www.lichtmasten.nl - www.eternalpole.eu

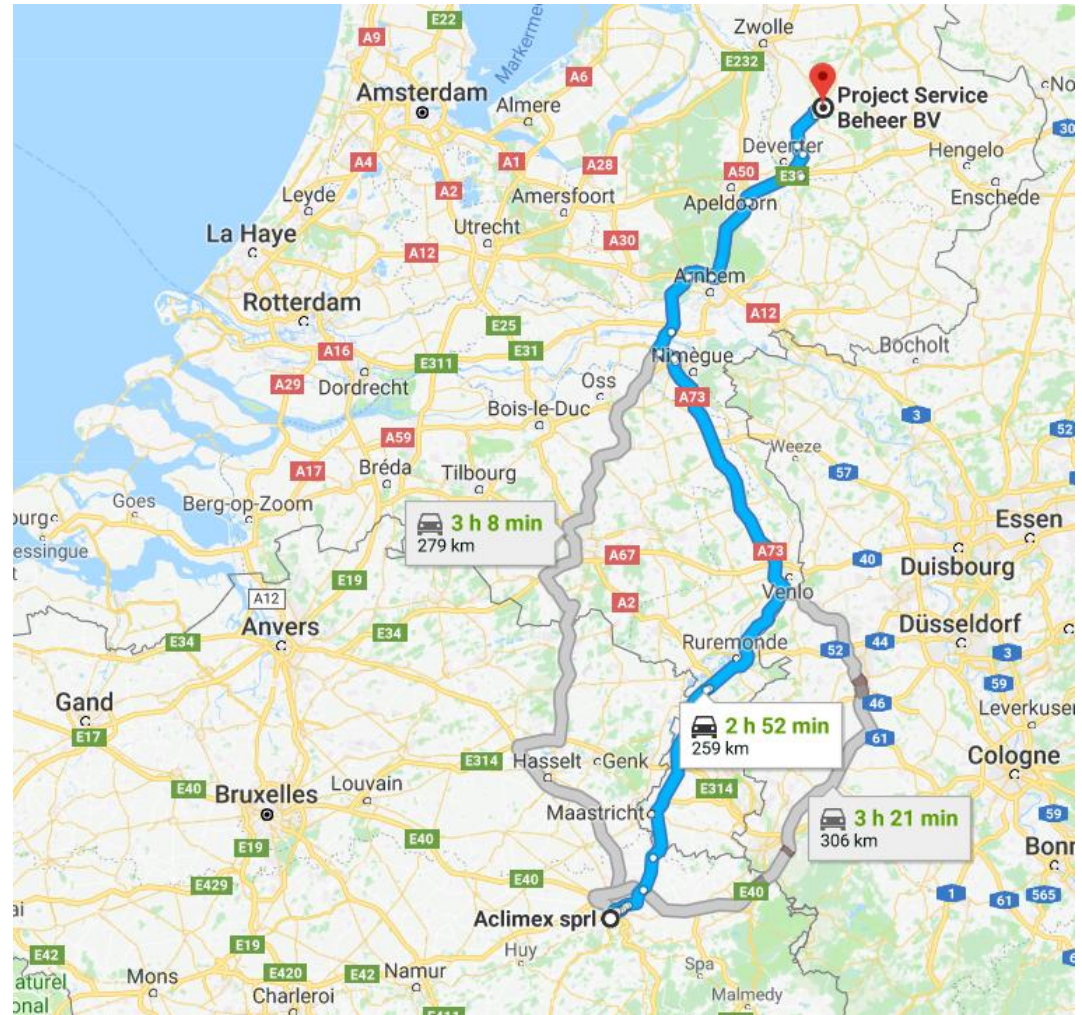
Sales Contact for Belgium/France:

ACLIMEX in Liège

Tel : 0032.473.663.615

c.lempereur@acimex.com

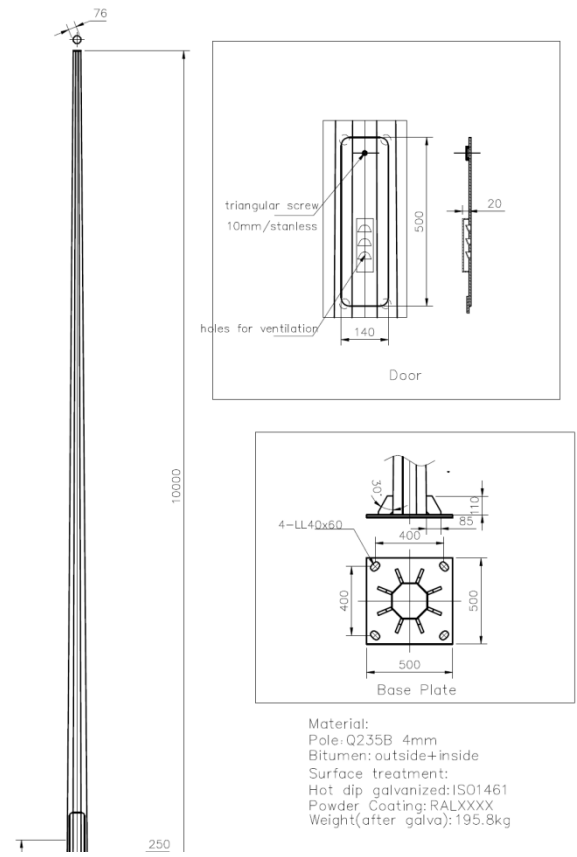
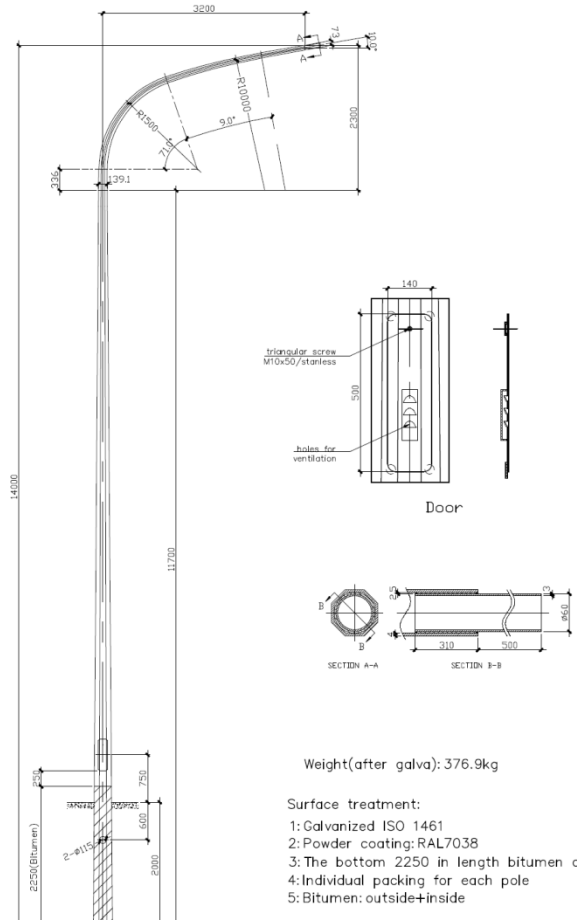
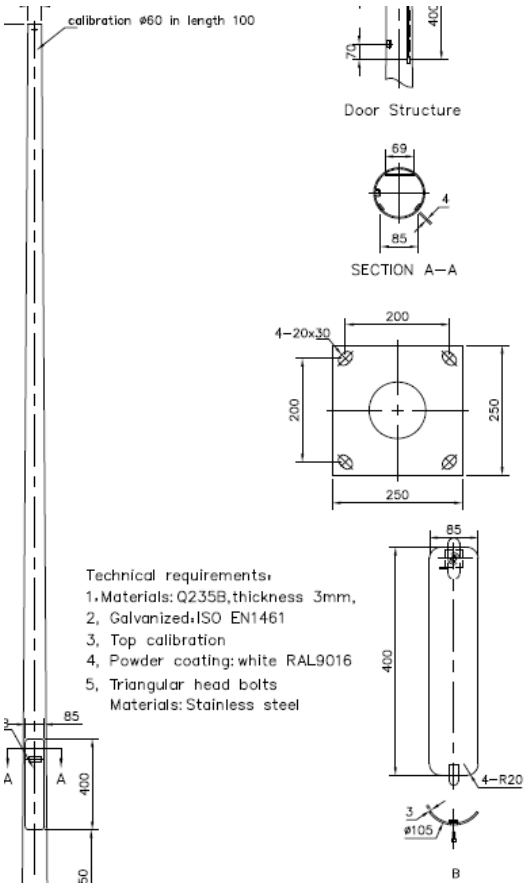
www.acimex.com





Standard Pole
Round Conical

Standard Steel Pole (Belg type M/MS – RM/RMS)
Octo-Conical

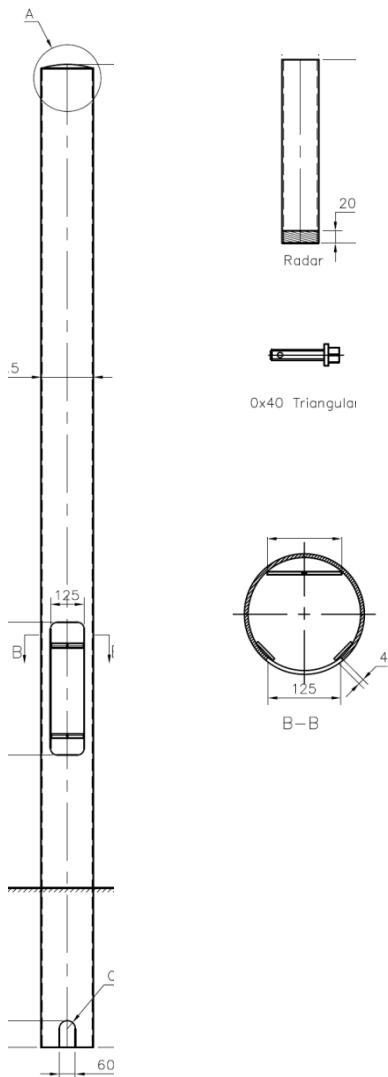




Special Poles - CE Certified and accessories

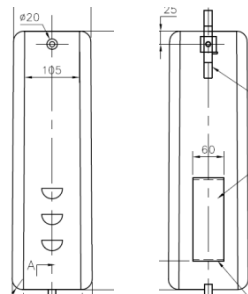
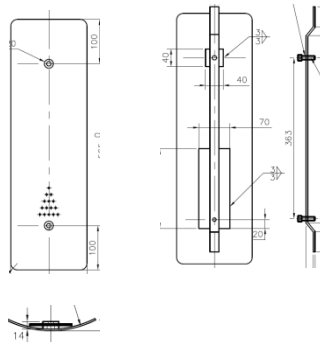
Traffic + Radar poles

New Model!



Steel Doors Galva

10 models (M-RM, Lanternes, Béton...)



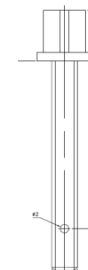
Ballast Monobloc

(Proto available for testing)



Triangular Screws

Brass Or Stainless



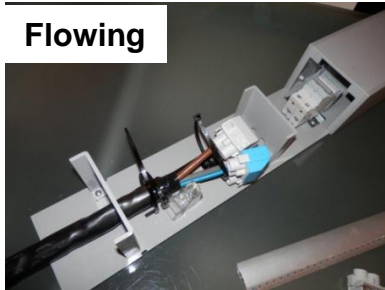


Connection Box – IP44 Class 2 2 approaches

Connection Box made by [ACLIMEX \(Belg\)](#) :

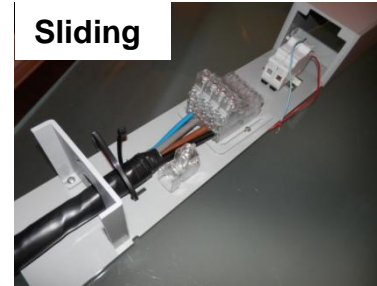
Tailored connection box to meet the Belgian specificities using 2 or 3 cables with large cable section up to 35². These boxes fit with numerous of connectors, depending to customer request

Flowing



**Individual
Terminals
[FTG \(All\)](#)**

Sliding



**Compact
Terminals
[ABEL \(Fr\)](#)**



Connection box made by [ABEL \(Fr\)](#) : cost-effective connection box that are largely experienced in France since many years - 2 or 3 cables – 35²





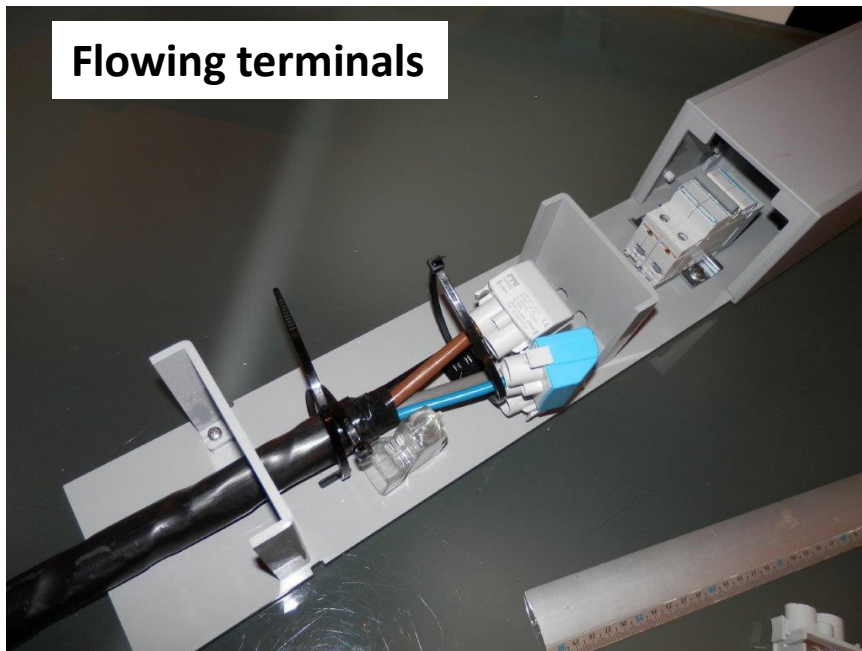
Connection Box made by ACLIMEX (Belg) Adjustable with different terminals

Connection Box – Classe II – Belgium

2 cables with 4 entries <50² FTG (All)

Flowing Individual terminals

Flowing terminals

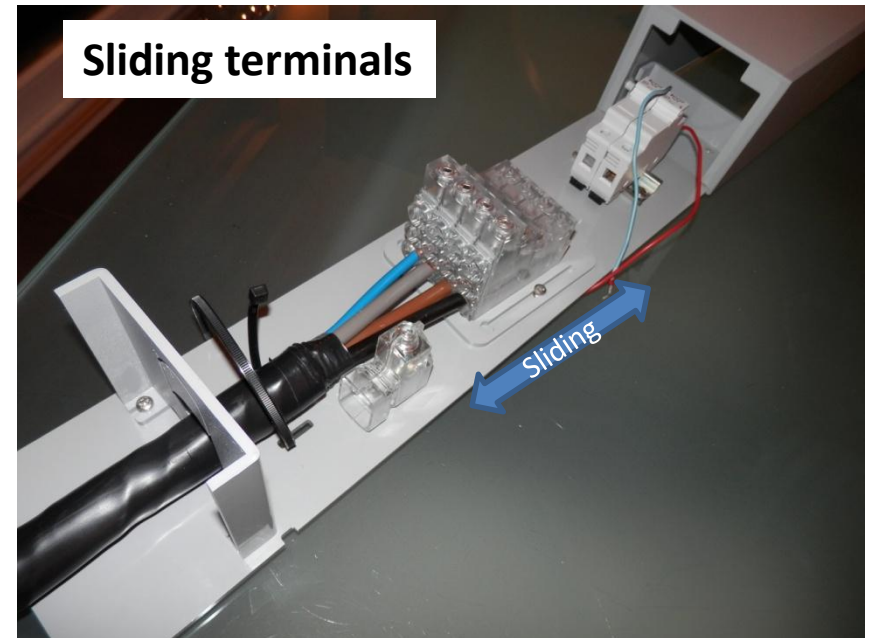


Connection Box – Classe II – Belgium

3 cables 4 entries <50² ABEL(Fr)

Compact + Transparent + removable + sliding terminals

Sliding terminals





Connection Box made by ABEL (Fr) – IP44 – classe 2 Type: **Junior - Medium – Senior**



Transparent terminal

=> Better control on the connection

Removable terminals ,

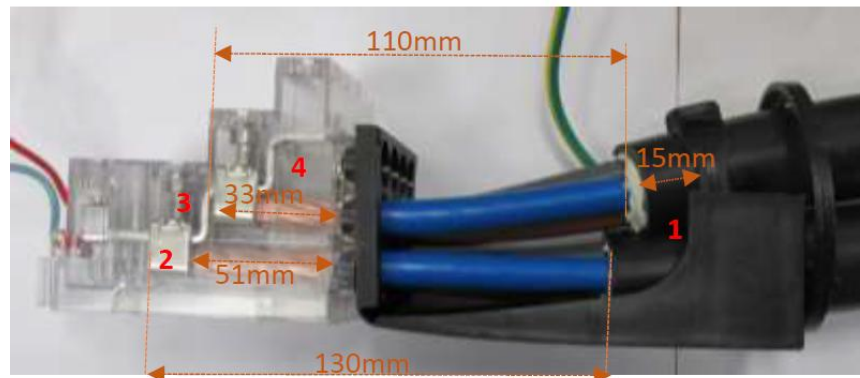
⇒ To facilitate the connection

⇒ To ease the manipulation inside the pole

Compact terminal:

⇒ **3 Cables with 4 entries 50^2** for Medium & Senior boxes

⇒ **12 entries ,** well oriented with regards network cables



FTG (AlI) terminals : 2 cables 50^2 + Plastic Protection Cover
Insulating protective solution for Damaged Poles



Product information

Cover Terminal LPDB

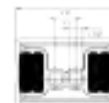
KA42

- Spring clamp technology
- No tools necessary
- Max. operating current: 25A
- Max. operating voltage: 690V AC
- Protection class: IP33
- Material: copper

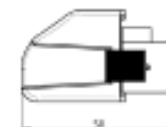
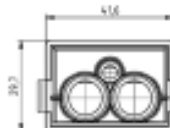
KA50X

- The housing with the snap into place system can be opened and closed
- Max. operating current: 160A (Cu) and 125A (Al)
- Max. operating voltage: 690V AC, 1000V DC
- Max. torque $\phi 11$: 6-8 Nm with 6 - 50mm² (input)
 $\phi 4,4$: 2 Nm with 1,5 - 10mm² (output)
- Protection class: IP23/IP33 with mounted cable
- Material: aluminium, tinned

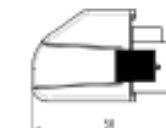
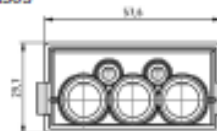
KA42



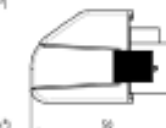
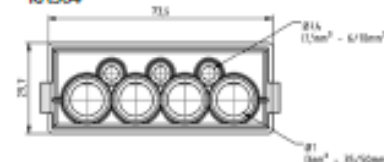
KA502



KA503



KA504



KA42



KA502



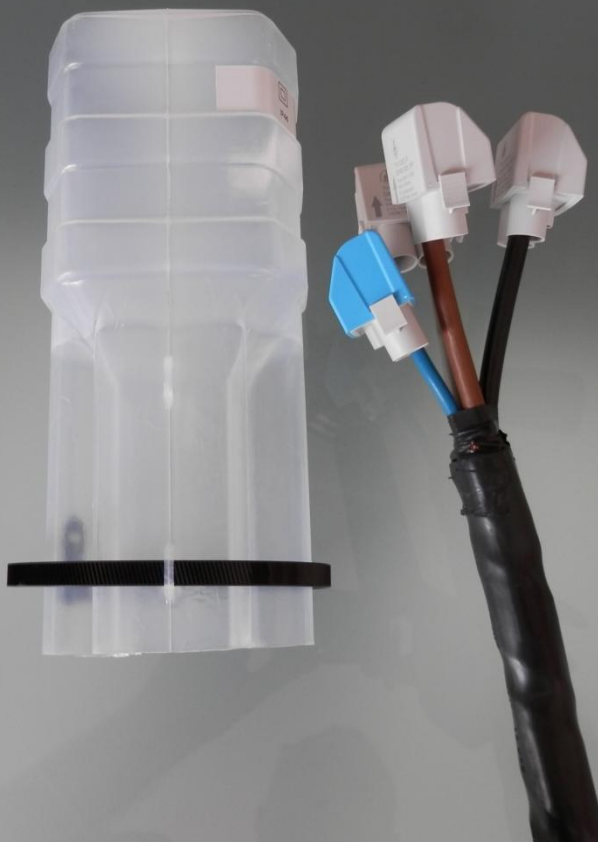
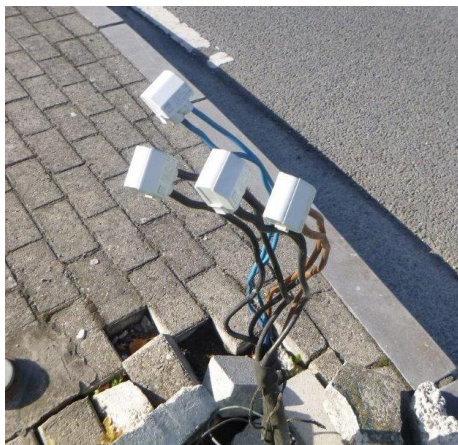
KA503N



KA504PE



FTG (All) terminals : 2 cables 50^2 + Plastic Protection Cover
Insulating protective solution for Damaged Poles



Sécuriser Un poteau accidenté



Useful Accessories for Connection Boxes



Borne de terre
2 x 36 mm² en option



Gaine thermorétractable 4 doigts

4 x 25 mm²

4 x 35 mm²

9 FONCTIONS PILOTES*

	P-ADJUST
	CYCLES
	CAPTEUR DE MOUVEMENT DALI
	CONTACT SEC
	F-CONSTANT
	VAR

SMART LUM

- PAS DE VARIATION
- TIMER
- GUIRLANDE

4 MODES DE PROGRAMMATION

Simplifiée, au point lumineux :

- par bouton poussoir sur la face avant du MID

Avancée, au point lumineux :

- par Smartphone avec NFC (application Android)
- par PC portable (Windows 7 ou 10) avec antenne NFC

Par automate de programmation (code 101979):

- sur un ensemble de points lumineux équipés de MID, à partir de l'armoire en tête de réseau

2 KITS POUR LA PROGRAMMATION AVANCÉE

Kit pour PC (code 101980) : antenne NFC + programme ABEL

Kit Smartphone (code 101981) Android avec NFC + application ABEL



Module MID

DALI – Programmable À Distance